



MADE IN
THE UK



SCAN ME

Simplicity Alfresco

Installation Guide

Please check off all your parts against the CAD drawing you have been supplied. Check for both quality and quantity. Any discrepancies or quality issues need to be reported within 24 hours from receipt of delivery.

Profiles



Alfresco Main Bar



Alfresco End Plate



Gutter



Wall Plate



Wall Plate Pitch Strip



Wall Plate Wing

Simplicity Alfresco

Profiles contd.



Post



Post Clip



Standard Bracket



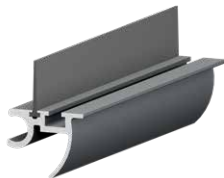
Straight Joiner Plate



Alfresco Bolster Bar



Alfresco Eaves Beam



Eaves Beam Pitch Adjuster



Eaves Bar Bolster Bracket



End Bar



End Bar Bolster Bracket



Fixing Clip Square



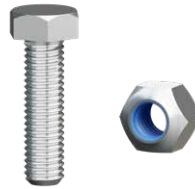
Glass Connector

Simplicity Alfresco

Profiles contd.



Gutter End Plate



M8 x 30mm Hex Headed Bolt
with Nylock Nuts



M8 x 20mm Hex
Headed Bolt



M8 x 16mm Hex Headed Bolt
and Stainless Steel Dome Nuts



No. 10 x 25mm
Self Drillers



No. 10 x 25mm
HEX Countersink Screws



M6 x 20mm SS Pan Pozi Screws



Downpipe



Downpipe Connector & Elbow



Pipe Snug



Sikaflex



Spigot

Simplicity Alfresco

Tools Required



Drill



4mm Drill & 8.5mm Drill Bits



Spirit Level



CO² Genie Hoist



13mm Spanner



Stanley Knife



Rubber Mallett & Hammer



Mastic Gun



Socket Set



Step Ladders



Masonry Drill Bits



Digging Equipment



Chop saw
with aluminium blade,
recommended 60 to 80 tooth



Masonry Drill



Impact Driver



8mm ratchet spanner



45mm Hole saw



Pozi Head Screwdriver &
Flathead



Countersink



8mm Magnetic Nut Driver

**YOU NEED YOUR CAD DRAWING AVAILABLE TO
PROCEED WITH YOUR INSTALLATION**



Roofing Square

Simplicity Alfresco

Installation Instructions

1. Foundations

Refer to your CAD drawing for excavation positions for the foundation holes and install your foundations. We recommend a minimum of a 600x600x600mm hole with C4 Concrete to be used for each post. These measurements are a guide only, a Structural Engineer may be required to verify. Ensure that the base of all holes dug are level with each other so that the structure is stable.

Please also consider if an underground drainage connection will be required, and plan accordingly.



2. Fitting the Wall Plate

Attach the Wall Plate to the wall using suitable fixings (not provided). We recommend a spacing of 200mm between fixings.

NOTE: You must ensure that the Wall Plate is not twisted or bowed as this will prevent the Wall Plate wing from being fitted. Use a spirit level to make sure the Wall Plate is fitted level.



Simplicity Alfresco

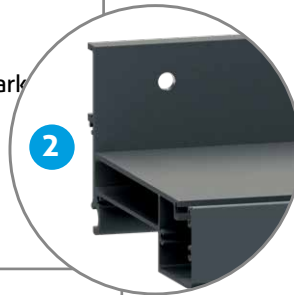
Installation Instructions

3. Fitting of Wall Plate Wing to the Wall

Measure and mark in 35mm from one end of the Wall Plate Wing, within the centre of the fixing channel. Once marked, drill an 8.5mm hole from the back of the Wall Plate Wing. Repeat this process for the opposite end.

Ensure you drill the hole in the centre of the channel to ensure the fixing clip square will cover the bolt head

Refer to your CAD drawings for centre-to-centre bar dimensions before drilling additional holes. Measure and mark the remaining holes and check your measurements against your CAD drawing. If you are satisfied all are equal, drill the remaining 8.5mm holes.



4. Additional Wall Plate Pitch Strip

Refer to your CAD drawings. If the roof structure pitch is over 5°, insert the Wall Plate Pitch strip into the Wall Plate Wing as shown.



Simplicity Alfresco

Installation Instructions

5. Install Wall Plate Wing

Install the Wall Plate Wing onto the affixed Wall Plate on the structure.



6. Joining Gutter to Eaves Beam

ATTENTION: Refer to your CAD drawings. Only attach the Gutter profile now if your structure has a roof pitch of 15° or lower to avoid a collision when glazing. If it is greater than 15°, install the gutter after glazing the roof.

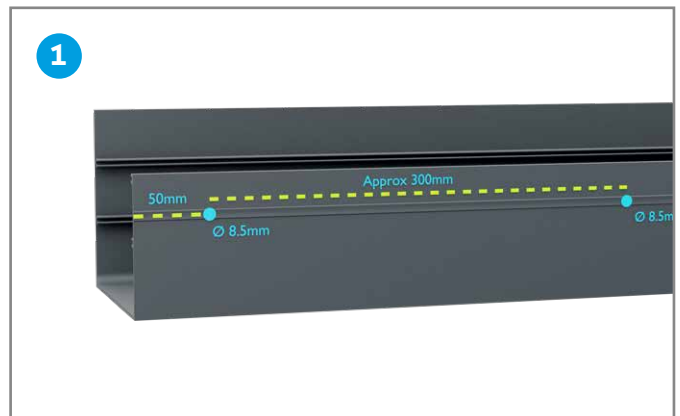
Measure and mark in 50mm in the centre of the raised scribe line from the edge of the Gutter profile. Mark additional holes at approximately 300mm centres along the length of the Gutter. (Fig 1). If satisfied, drill the 8.5mm holes.

Insert the required amount of M8 x 16mm bolts into the Eaves Beam bolt channel.

Next, apply a thick bead of Soudaflex just above the bolts along the length of the Eaves beam to prevent rainwater egress between the two profiles.

Finally, join the two profiles together, making sure that each bolt enters the corresponding hole. Tighten and secure the married profiles with M8 Dome nuts.

If the Gutter length is longer than 6m, please follow Step 6a also.



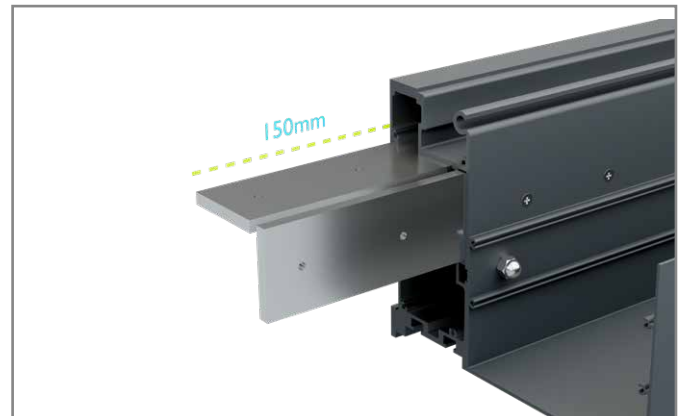
Simplicity Alfresco

Installation Instructions

6a. Joining Multiple Gutter & Eaves

Ensure that all Gutter joins are joined over a post position to maximise the wind and snow loadings on the veranda structure. Locate the Joiner Plate channels in the Eaves profile and insert the 300 x 59 x 8mm Joiner Plates supplied 150mm deep into the profile. Drill a pilot hole using a countersunk drill bit and secure using 2x No.10 x 25mm countersunk screws for each plate.

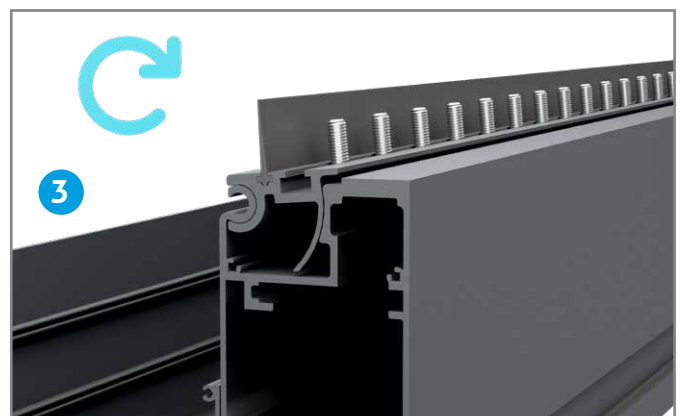
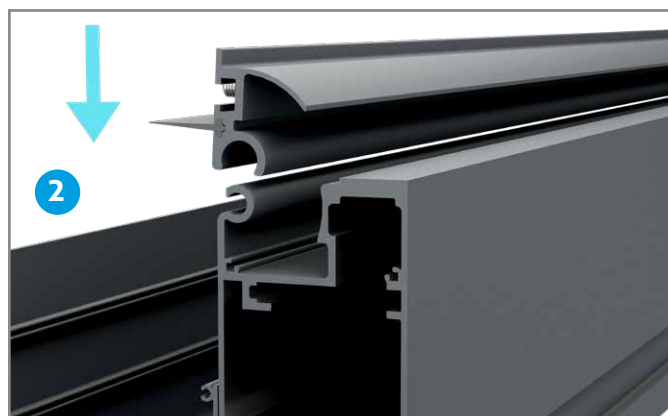
Repeat the installation steps for the next section of joined Gutter & Eaves section(s) remaining. Make sure to stagger the Gutter joins and the front Gutter Cover to improve structural strength.



7. Eaves Beam Pitch Adjuster

Install the Eaves Beam Pitch adjuster onto the Eaves Beam.

Insert the required amount of M8 x 20mm bolts for each bolster bar. (2 per End Bar, 4 per main bar).



Simplicity Alfresco

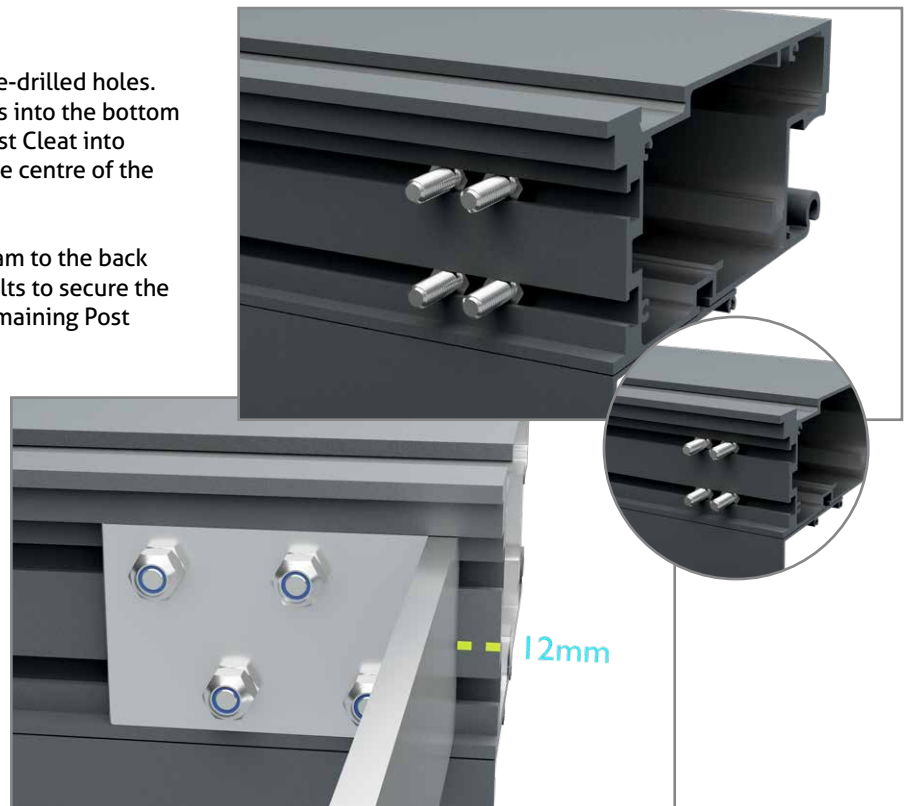
Installation Instructions

8. Post Bracket Install

Each post requires 1 Post Cleat, which has 4 pre-drilled holes. Insert the required amount of M8 x 20mm bolts into the bottom bolt channels in the Eaves beam. Orient the Post Cleat into position with the "L" facing inwards towards the centre of the Eaves Beam, and loosely secure with M8 nuts.

Measure 12mm from the edge of the Eaves beam to the back face of the Post Cleat, move and tighten the bolts to secure the Cleat. Repeat the installation process for all remaining Post Cleats.

NOTE: If the veranda is longer than 6m and the gutters need to be joined, ensure that the join is over the post position and follow the joining instructions.



9. Post Preparation

Measure and mark 40mm in from the bottom of the post in the Fixing Clip channel. Measure and mark another 40mm up from the previous mark. If satisfied, drill the pair of 4mm holes. Repeat for the side of the post.

Insert the Post Cleats into the channels at the bottom of the Post, and secure using 2x No.10 x 25mm self-drilling screws on each side.

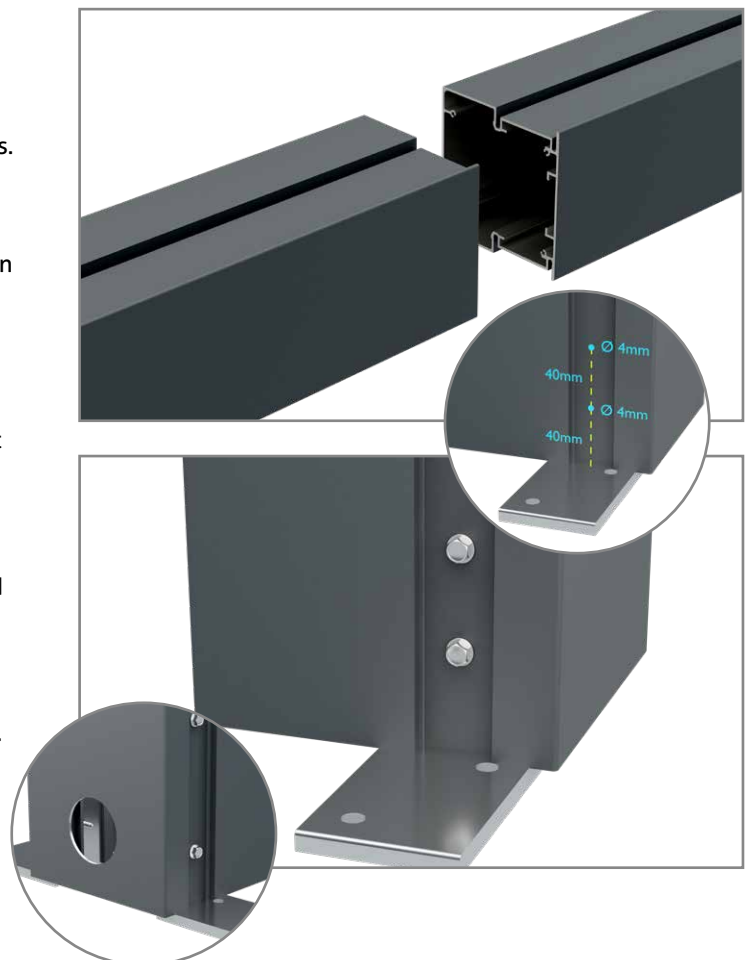
Repeat the installation for the remaining Posts.

The Posts are always supplied at 3m long, therefore they will need to be cut on site to the correct length. The correct height will be confirmed on your CAD drawings. If they are going into the ground, then an allowance of 600mm needs to be considered. Cut the posts to the indicated length.

NOTE: Consider any falls in the ground, some posts may need to be longer than others if the terrain is uneven.

If the Pipe Snug option has been selected, measure and mark up a suitable distance from the FFL on the CAD drawing in the centre-bottom of the Post that will have an internal gutter pipe.

Drill a 52mm hole with an Arbor Saw and de-burr the internal face of the post to ensure a tight fit.



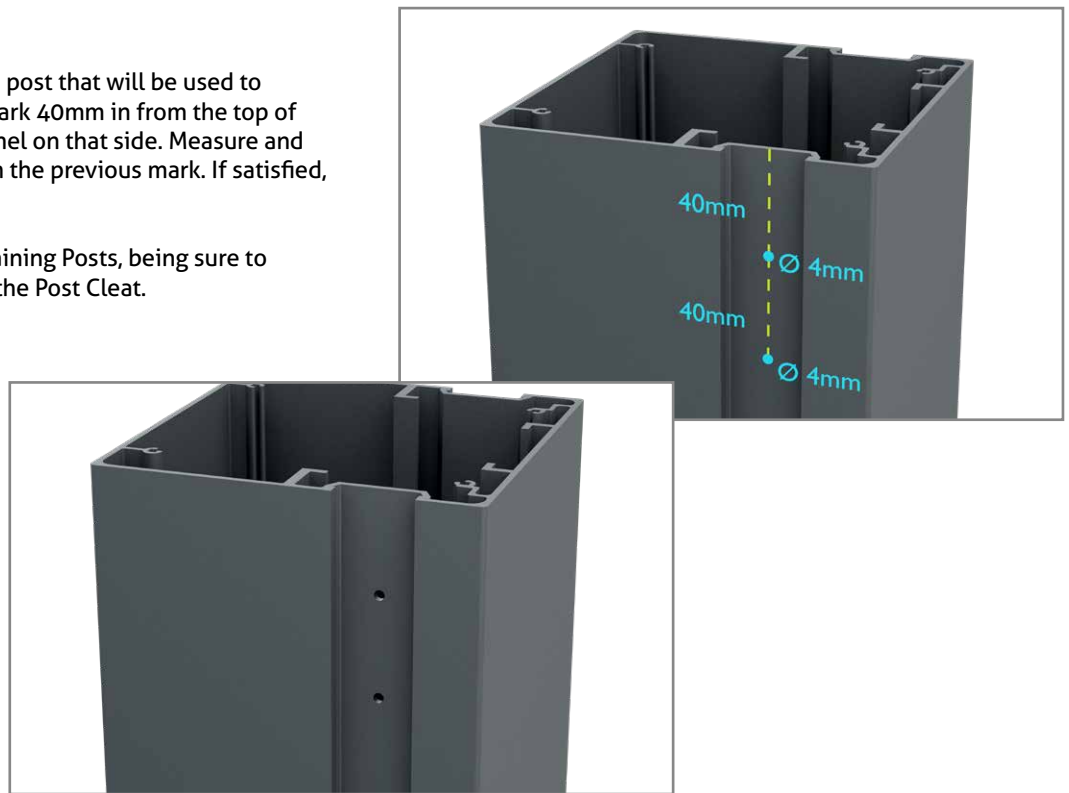
Simplicity Alfresco

Installation Instructions

10. Post Bracket Prep

Locate the Post Cleat slot in the post that will be used to attach the post. Measure and mark 40mm in from the top of the post in the Fixing Clip channel on that side. Measure and mark another 40mm down from the previous mark. If satisfied, drill the pair of 4mm holes.

Repeat installation for the remaining Posts, being sure to confirm the correct position of the Post Cleat.

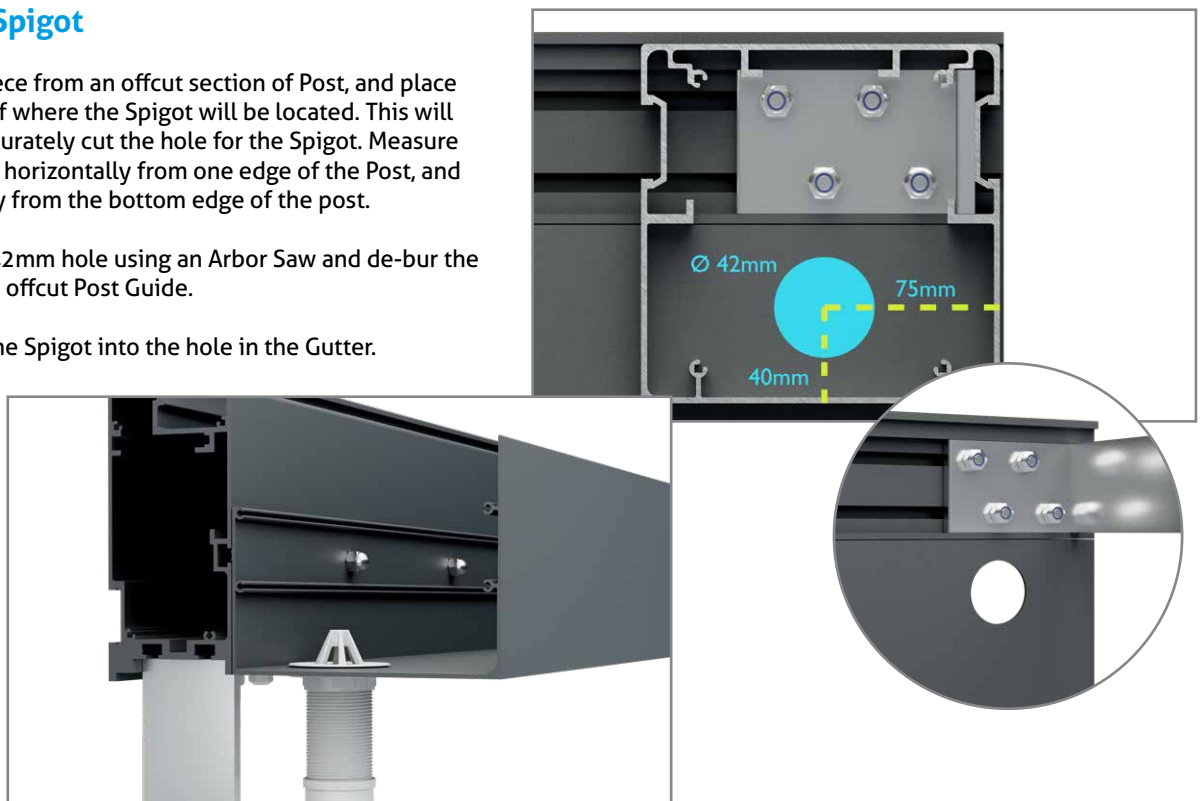


11. Drainage Spigot

Cut a 20-30mm piece from an offcut section of Post, and place over the location of where the Spigot will be located. This will be the guide to accurately cut the hole for the Spigot. Measure and mark 75mm in horizontally from one edge of the Post, and 40mm up vertically from the bottom edge of the post.

If satisfied, drill a 42mm hole using an Arbor Saw and de-bur the edges. Remove the offcut Post Guide.

Fit and assemble the Spigot into the hole in the Gutter.



Simplicity Alfresco

Installation Instructions

12. Post to Gutter & Eave

Position and insert the post over the secure Cleat on the Eaves Beam, ensuring that there are no gaps between the Post and Eave/Gutter profiles. Secure the Post to the Cleat using 2x No.10 x 25mm self-drilling screws.

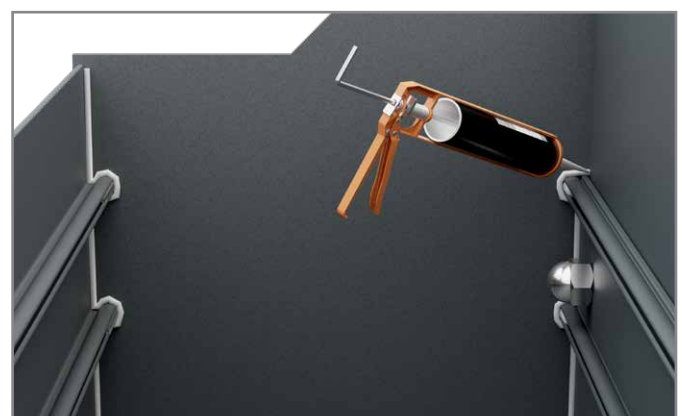
For the Post that will house the downpipe, attach the downpipe to the Spigot. Then slide the Post over the downpipe and onto the Post Cleat. Secure using 2x No.10 x 25mm self-drilling screws.



13. Attach Gutter Endplates

Line up and install the Gutter Endplates using the required amount of No.10 x 25mm self-drilling screws and cover caps supplied.

The Endplates will need to be sealed. Apply a bead of Soudaflex along the internal profile of the Gutter and Endplates. Make sure to fill the two vacant screw ports with Soudaflex.



Simplicity Alfresco

Installation Instructions

14. Stand Structure Up

Before standing the structure ensure that the correct number of M8 x 20mm bolts are inserted into the Eave Pitch Adjuster. There are 2 bolts per end bar and 4 bolts per main bar. Remove the Eave Pitch Adjuster if necessary.

Lift the structure and place onto the foundations with the posts centred on each. Brace the structure as necessary to hold it upright. Depending on size you may need to use lifting equipment or something similar prevent it falling.

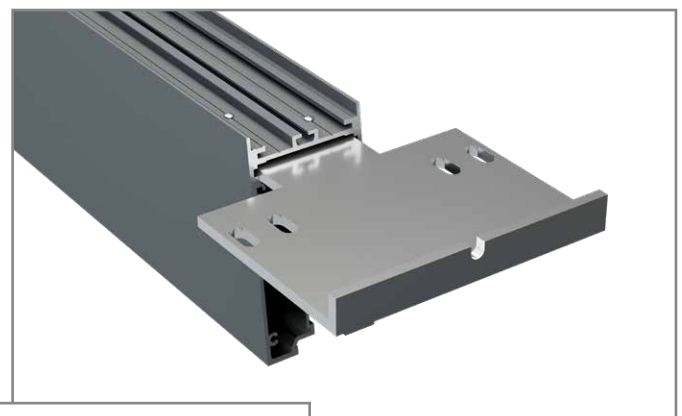


15. Bolster Bar Assembly

Your Bolster Bars should come pre-assembled with the T and L plates attached.

Locate the Main Bar and End Bar profiles that will hold the glazing panels.

Slide these into the groove in the Bolster Bar to complete the assembly.



Simplicity Alfresco

Installation Instructions

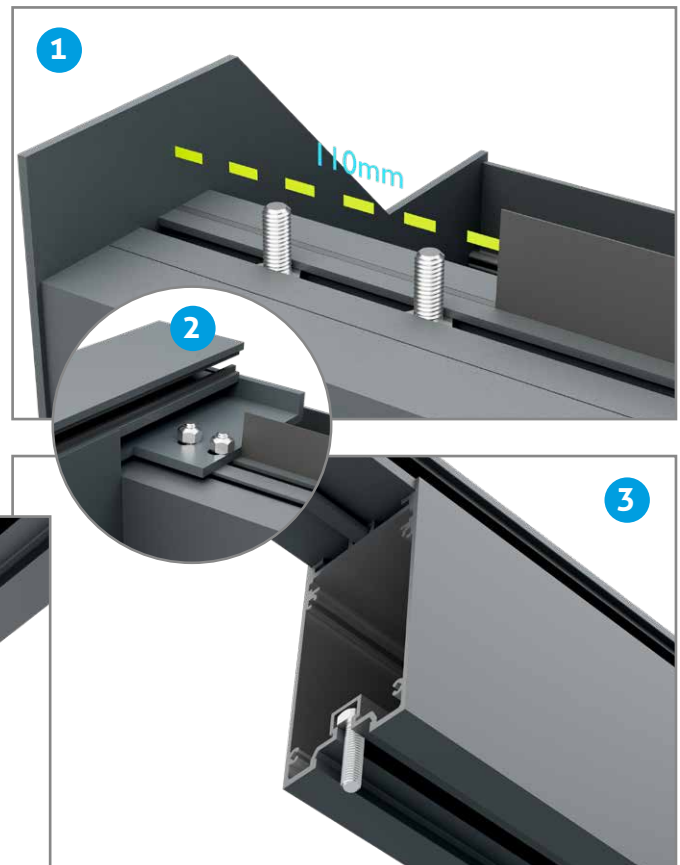
16. Fitting End Bars

Cut the first 110mm off the Eaves Pitch Adjuster and Wall Plate Wing flipper rubber gaskets. This allows the bars to sit flat on the adjusters.

Fit one End Bolster Bar to the Wall Plate Wing and the Eave Beam, making sure that the M8 Bolts sit in the Bolster Bar Bracket bolt slots. If satisfied, tighten and secure the End Bolster Bar with M8 Nyloc nuts.

ATTENTION! Do not over tighten the bolts at the Wall Plate Wing end as this will distort the Wall Plate Wing.

Repeat installation for the opposite End Bolster Bar.



17. Check Structure is Square and Level

Using a Roofing Square against the Wall Plate Wing and the End Bolster Bar, adjust the front legs left or right so that the structure is square. Use a Spirit Level on the Eave Beam to ensure that the front of the structure is sitting level.



Simplicity Alfresco

Installation Instructions

18. Securing the Structure

Once you have checked that everything is square and level, proceed to secure the structure according to the specified method.

SURFACE MOUNTED

Secure the Post Cleats to the concrete pad using suitable fixings.



IN GROUND

Secure the structure by pouring in the C4 Concrete into the foundation holes and allow to fully cure.



Simplicity Alfresco

Installation Instructions

19. Fit Main Bolster Bars

Refer to your CAD drawing. Cut 160mm of flipper rubber gasket from the Eaves Pitch Adjuster and Wall Plate Wing at the positions indicated on your CAD drawing.

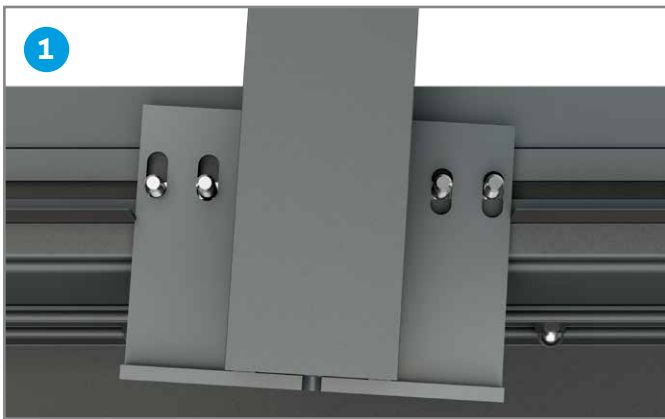
Starting at the Gutter end locate the fixing bolts in the Eaves Pitch Adjuster and rest the Bar and Bolster Bar Bracket in its final position. The other end of the Bar should be elevated above the Wall Plate Wing at an angle.

Keeping the Gutter end of the Bar fixed in position, **carefully** lower the Wall Plate Wing end of the bar down. When the desired angle has been achieved you will have enough room to move the end of the Bar and Bracket into the Wall Plate Wing.

While continuing to hold the Gutter end of the Bar in position, **slowly** bring the bar towards you **being careful** not to scratch the powder coat until the Bolster Bar is 90° to the Wall Plate Wing.

You can now locate and move both Brackets onto the M8 Bolts at both ends. Double check the centres referring to your CAD drawing and if satisfied, secure the Bar using M8 Nyloc nuts. Repeat the installation process for the remaining Main Bolster Bars.

When all Bars are installed, remember to pull out the top flipper gasket on the Wall Plate Wing so that it covers the tops of the Glazing Bars.



Simplicity Alfresco

Installation Instructions

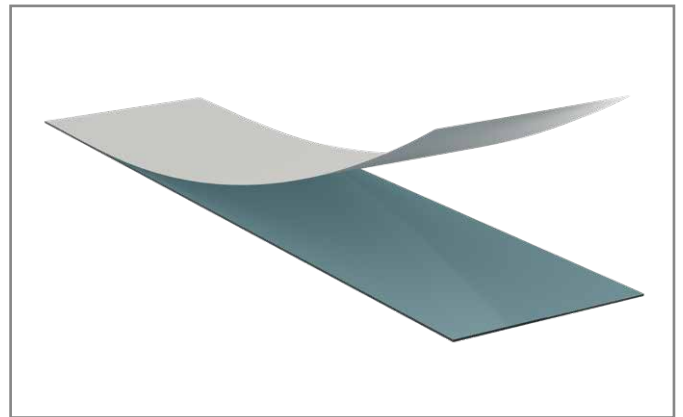
20. Sealing Wall Plate Wing

If the structure requires the Wall Plate to be sealed or have flashing, this needs to be down before the glazing panels are installed.



21. Preparing Glass

The glazing glass panels sometimes come with a protective film on one side. This needs to be removed before installing the panels. The side with the film is the TOP face of the panel, make sure that this side is facing up when installing.



22. Glass Connectors

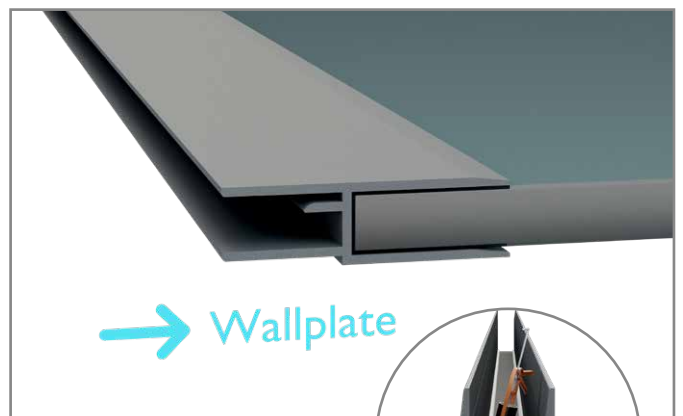
If the structure projection is over 3m, glass connectors are required to be fitted to the glazing panels so that they can be joined.

For the top section of panels, apply an approximately 8mm bead of clear Soudaflex along the top and bottom inside faces of the connector. Insert over the bottom of the glazing panel, making sure that the tapered edges of the connector are facing up and towards the Wall Plate end of the panel. This is to allow proper water flow over the roof structure.

Repeat the installation for the rest of the top section of glazing panels. Allow silicon on joiners to cure before attempting to join the bottom section of glass

For the bottom section of panels, repeat the installation as above but with the tapered edges of the connector facing down.

Advice: It is always recommended to make sure the Soudaflex you are using is warm to allow for better application



Simplicity Alfresco

Installation Instructions

23. Glazing the Structure

NOTE: We recommend the use of a CO² Geni Hoist for the glazing process, as it can sit directly under the glazing panels.

ATTENTION: Refer to your CAD drawings. If your structure has a roof pitch of 15° or greater you must install the Gutter after glazing the roof.

Lubricate the edges of the glazing panels using a liquid soap solution and 25mm paint brush, or silicon spray. Carefully lift and slide the glazing panel into the gap between gasket channels in the Glazing Bars and push the panel all the way up to the Bolster Bracket in the Wall Plate Wing.

3M+ PROJECTION:

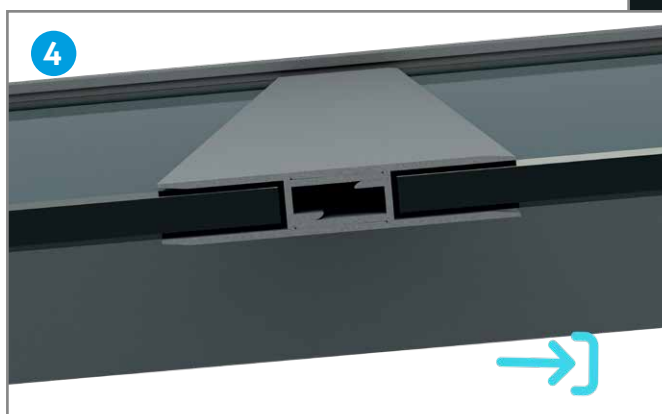
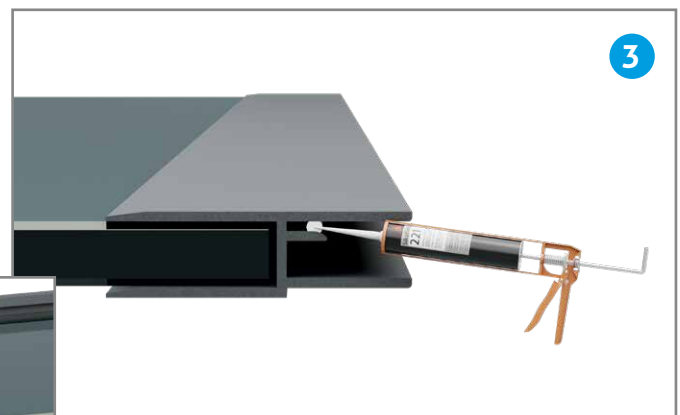
If you have two sets of glazing panels to fit, ensure that the top sections are fitted with the connectors at the bottom of the panels.

To fit the bottom panels, apply a bead of clear Soudaflex to both smaller inside faces of the connector. Then repeat the installation process for the glazing panel, making sure that both connectors are fully mated.

To fit the last end connector to the glazing panel, repeat the installation process in Step 22.

Repeat the installation process for the remaining glazing panels. Clean the glazing panels as you go to prevent any working at height issues.

NOTE: We recommend waiting for all sealant to properly cure before continuing to glaze the roof.



Simplicity Alfresco

Installation Instructions

24. Bar End Plates

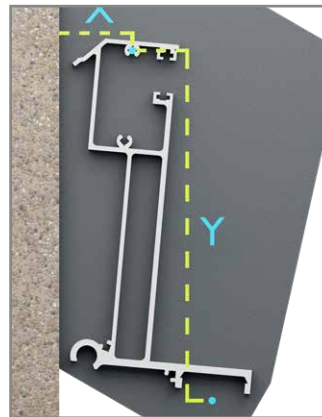
Install the Bar End Plates using 2x M6 x 20mm screws and end caps provided.



25. Wall Plate End Plates

To successfully install the end cap measure horizontally from the wall to the centre of the screw port in the Wall Plate Wing (ensuring you cover the whole end of the Wall Plate Wing..) and then drill a hole 4mm through the end cap. Then using a 5mm hex head self taper fix into the screw port and add a cap to finish.

Repeat the process at the bottom of the wall plate wing and fix, repeat for the other end of the canopy.



26. Fit Fixing Clips

If Lighting is not required, install the Fixing Clips to finish the structure.

Cut the Fixing Clips to length, if required. Fit these by gently but firmly tapping the clips using a white rubber / plastic mallet. Clips should be installed on all Posts, the Eaves Beam, and the Wall Plate Wing to conceal all fixings.



Simplicity Alfresco

Installation Instructions

27. Finished Structure



This installation guide should be used in conjunction with the Installation video for this system which can be found on the trade partner area of our website.

Milwood Group
Europa & Jenner House, Victory Park, 1-2 Trident Close,
Medway City Estate, Rochester, ME2 4ER
0333 305 5272 | sales@milwoodgroup.com



SCAN ME